



**T&S BRASS AND BRONZE WORKS, INC.**  
 2 Saddleback Cove / P.O. Box 1088  
 Travelers Rest, SC 29690

Model No.  
**HG-2-K Series**

Item No.

Travelers Rest, SC: 800-476-4103 • Simi Valley, CA: 800-423-0150 • Fax: 864-834-3518 • www.tsbrass.com

This Space for Architect/Engineer Approval

Job Name \_\_\_\_\_ Date \_\_\_\_\_

Model Specified \_\_\_\_\_ Quantity \_\_\_\_\_

Customer/Wholesaler \_\_\_\_\_

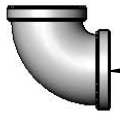
Contractor \_\_\_\_\_

Architect/Engineer \_\_\_\_\_

# SAFE·T·LINK

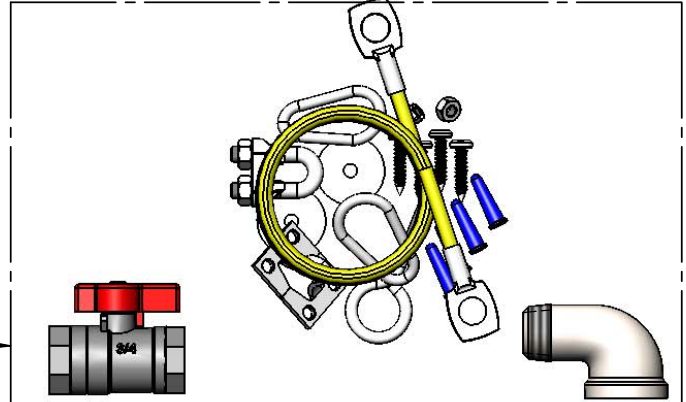


Coated Gas Connector  
w/ NPT Male Ends



(1) 90° Elbow

Installation Kit: Restraining  
Cable, Street EI, Ball Valve



"L" = Length	1/2" NPT
12"	HG-2C-12K
24"	HG-2C-24K
36"	HG-2C-36K
48"	HG-2C-48K
60"	HG-2C-60K
72"	HG-2C-72K

"L" = Length	3/4" NPT
12"	HG-2D-12K
24"	HG-2D-24K
36"	HG-2D-36K
48"	HG-2D-48K
60"	HG-2D-60K
72"	HG-2D-72K

"L" = Length	1" NPT
12"	HG-2E-12K
24"	HG-2E-24K
36"	HG-2E-36K
48"	HG-2E-48K
60"	HG-2E-60K
72"	HG-2E-72K

"L" = Length	1 1/4" NPT
12"	HG-2F-12K
24"	HG-2F-24K
36"	HG-2F-36K
48"	HG-2F-48K
60"	HG-2F-60K
72"	HG-2F-72K

**HG-2-K Series Product Configurator: HG - 2  -  K**

Ex: HG - 2  -  K

Gas Hose, 3/4" NPT Male Ends, 36" Length, (1) 90° Elbow, (1) Installation Kit

Product Specifications:  
 Safe-T-Link Gas Appliance Connector: Coated Hose w/ NPT Male Ends,  
 90° Elbow & Installation Kit

Product Compliance:  
 ANSI Z21.69 / CSA 6.16  
 NSF 2  
 NFPA 54